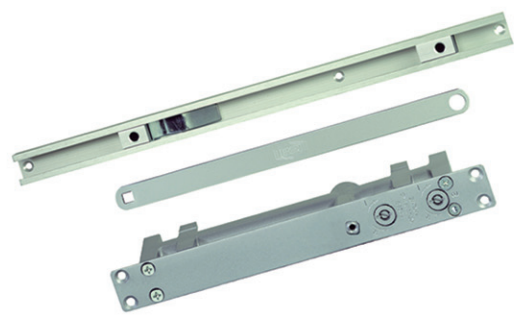




Door Closer Floor Hinge

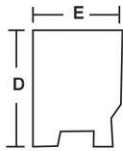
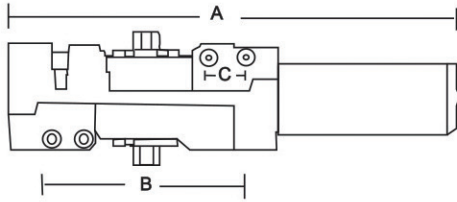


CE Certification



Mode No.: 1303 Door Closer , ANSI A156.4, GRADE 1

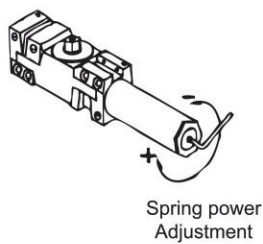
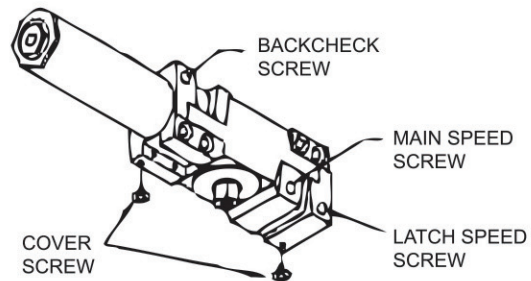
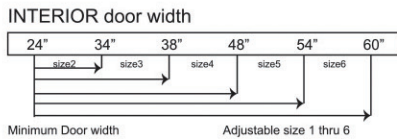
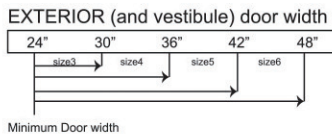
Specifications:



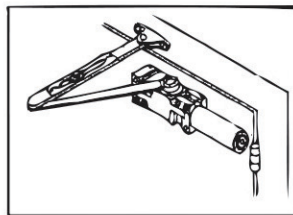
- A. Length of Closer Body 11"
- B. Horizontal Mounting Holes 5"
- C. Vertical Mounting Holes 1"
- D. Width of Closer Body 2 3/4"
- E. Projection from Door 2"



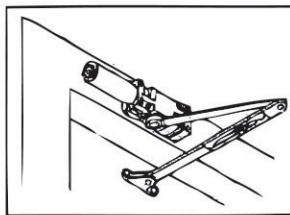
Closing power of 1303 Series closers may be adjusted 50%. Shows recommended range of door width for closer size.



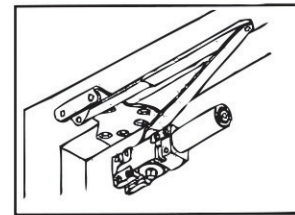
STANDARD MOUNT (PULL SIDE)



TOP JAMB MOUNT (PUSH SIDE)



PARALLEL MOUNT (PUSH SIDE)



Features:

- Universal application. Non-handed for standard, top-jamb or parallel arm installation
- Non-sized, 1 thru 6. FACTORY PRESET SIZE 3 meets ADA
- Standard adjustable back check function(BA)
- Adjustable closing and latching speed by two separate regulating valves
- Optional adjustable delayed action (DA)
- Preset at the factory for approximately 20 seconds, between 70° and 0°. Delay time easily adjusted up to 1 minute. 1303 DA
- Standard full plastic cover
- Self tapping screws and closer gauge for easy adjustment is standard feature



Mode No.: 1307 Door Closer

Full Cover Multi-size Full Feature Closer
ANSI 156.4 Grade 1

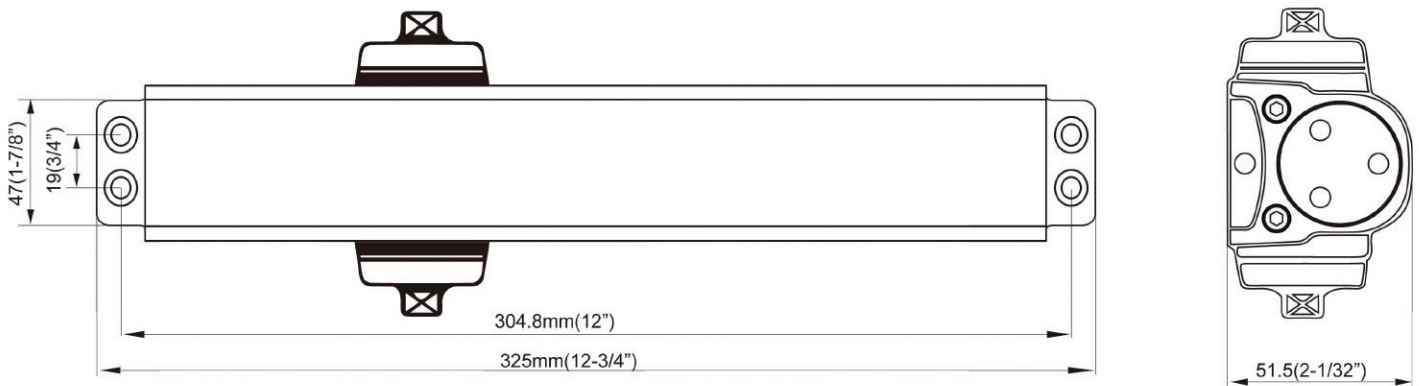


UL Listed Conforms to standards
UL10C

Specifications:

Description Size

- A. Length of Closer Body **325 mm (12-3/4")**
- B. Horizontal Mounting Holes **304.8 mm (12")**
- C. Vertical Mounting Holes **19 mm (3/4")**
- D. Width of Closer Body **47 mm (1-7/8")**
- E. Projection from Door **51.5 mm (2-1/32")**



Features:

- Universal application. Non-handed for standard, top-jamb or parallel arm installation
- Non-sized, multi size 1 to 6
- Standard adjustable back-check function
- Adjustable closing and latching speed by two separate regulating valves
- Standard full plastic cover
- Extended long arm for top jamb mount with deep reveals. 1307 EXT
- ANSI 156.4 Grade 1: UL listed for fire door assemblies
- Available in Alum, Duro, Black, Gold Finishes
- Optional adjustable delayed action (DA) Preset at the factory for approximately 20 seconds, between 70° and 0° Delay time easily adjusted up to 1 minute.
- Barrier free (BR) Meets ADA regulation. Size 1 thru 4. Engineered with reduced spring power to provide easier opening for handicapped or elderly.



Mode No.: 1309 Door Closer

Full Cover Multi-size Full Feature Closer
ANSI 156.4 Grade 1

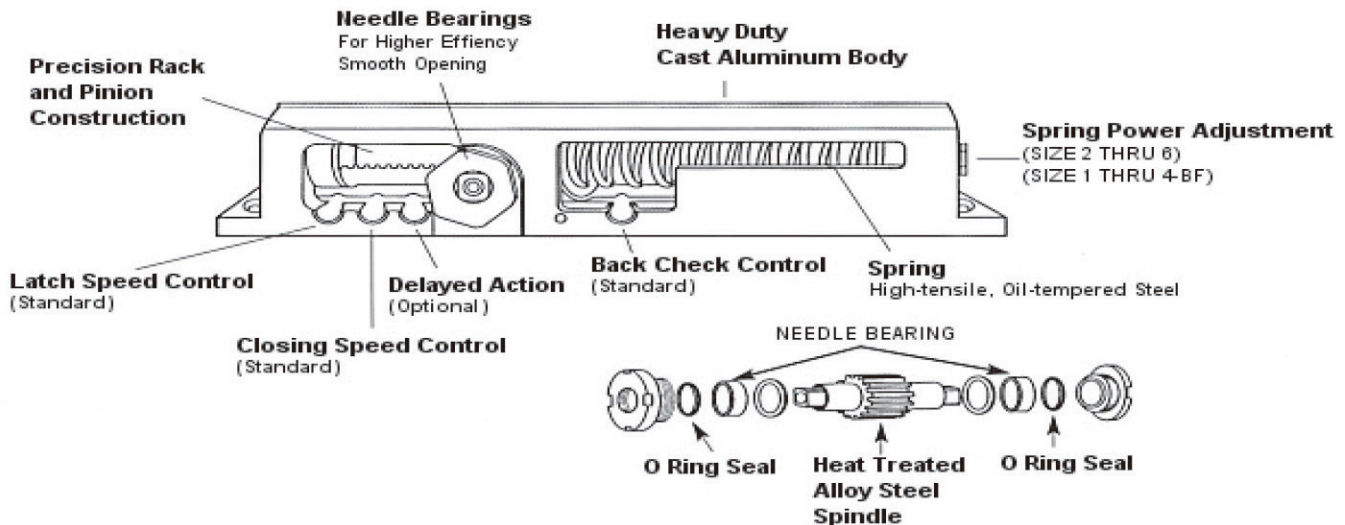
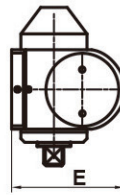
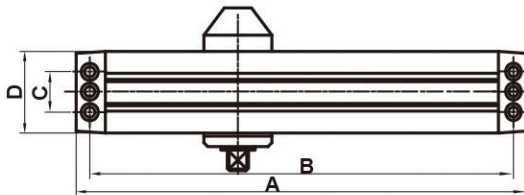


UL Listed Conforms to standards
UL10C

Specifications:

Description Size

- A. Length of Closer Body 302mm(11-57/64")
- B. Horizontal Mounting Holes 283.5mm(11-1/32")
- C. Vertical Mounting Holes 28.6mm(1-1/8")
- D. Width of Closer Body 51mm(2-1/64")
- E. Projection from Door 61mm(2-13/32")



Features:

- Universal application. Non-handed for standard, top-jamb or parallel arm installation
- Non-sized, 2 thru 6 and 1 thru 4 FACTORY PRESET SIZE 3
- Standard adjustable back-check function
- Adjustable closing and latching speed by two separate regulating valves
- Standard full plastic cover
- Extended long arm for top jamb mount with deep reveals. 1309 EXT
- ANSI 156.4 Grade 1: UL listed for fire door assemblies
- Available in Alum, US3, US26, US26D, US10A and US5 Finishes
- Optional adjustable delayed action (DA) Preset at the factory for approximately 20 seconds, between 70° and 0° Delay time easily adjusted up to 1 minute.
- Barrier free (BR) Meets ADA regulation. Size 1 thru 4. Engineered with reduced spring power to provide easier opening for handicapped or elderly.

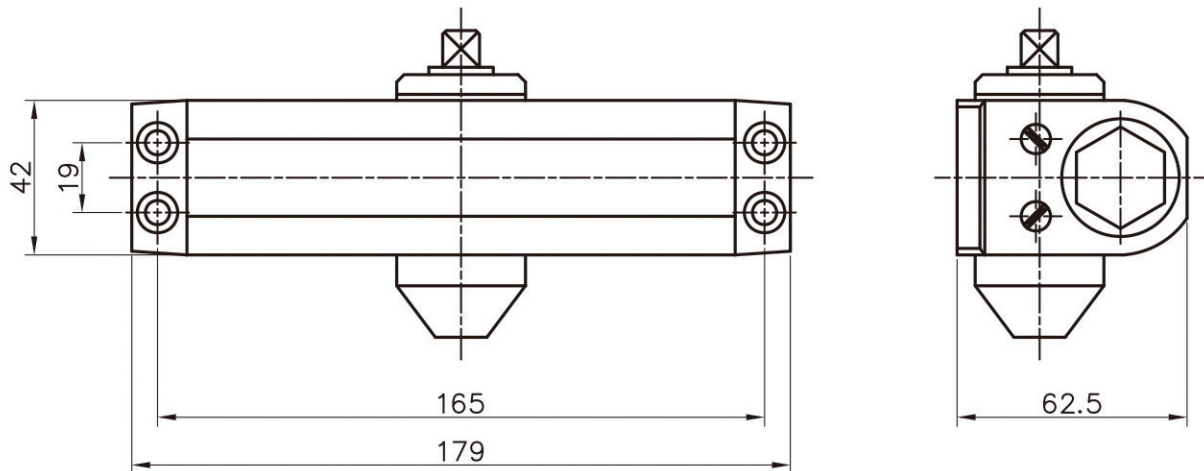


Mode No.: 2530 Door Closer

- Budget style
- UL listed
- Two Separate valves adjustable closing & latching speed
- Optional Built-in Hold open, or Hold open arm
- Universal Application: Standard
Optional Top-jamb parallel arm



Body size(mm)	Spring Strength	Max. Door Width(mm)	Suit for Max. Door Weight (kg)
179x42x62.5mm	2~4	950mm	40-65kgs
Back Check Function	Hold Open	Max. Open Angle	Applicable temperature
N/A	Optinal	180°	-30°C~60°C



Mode No.: 2380 Concealed Door Closer

√=YES	X=NO	O=OPTION	
SPRING STRENGTH	1-4	RACK AND PINION	✓
STANDARD-750MM 35KGS NO.1	2381	NON-HANDED	✓
-850MM 45KGS NO.2	2382	ANGLE OF OPENING	120°
-950MM 60KGS NO.3	2383	POWER ADJUSTABLE BY SPRING	X
-1100MM 80KGS NO.4	2384	POWER ADJUSTABLE BY POSITION	X
-1250MM 110KGS NO.5	X	SWEEPING SPEED ADJUSTMENT	✓
BODY DIMENSIONS(mm)LENGTH	230	LATCHING SPEED ADJUSTMENT	✓
HEIGHT	56	BACK CHECK SELF-REGULATING	O
PROJECTION	30	ADJUSTABLE AT VALUE	X
ARM STANDARD	X	DELAY ACTION	X
PARALLEL ARM BRACET	X	FINISHES SLIVER	✓
SLIDE(W/HOLD OPEN)	✓	COVER STAINLESS STEEL-POLISHING COLOR	X
HOLD OPEN ARM	X	COVER STAINLESS STEEL-STAIN COLOR	X



Mode No.: 2398 Door Closer



√=YES	X=NO	O=OPTION	
SPRING STRENGTH	1-4	RACK AND PINION	✓
STANDARD-750MM 35KGS NO.1	2398-1	NON-HANDED	✓
-850MM 45KGS NO.2	2398-2	ANGLE OF OPENING	180°
-950MM 60KGS NO.3	2398-3	POWER ADJUSTABLE BY SPRING	X
-1100MM 80KGS NO.4	2398-4	POWER ADJUSTABLE BY POSITION	✓
-1250MM 110KGS NO.5	X	SWEEPING SPEED ADJUSTMENT	✓
BODY DIMENSIONS(mm)LENGTH	207	LATCHING SPEED ADJUSTMENT	✓
HEIGHT	55	BACK CHECK SELF-REGULATING	O
PROJECTION	40	ADJUSTABLE AT VALUE	X
ARM STANDARD	✓	DELAY ACTION	X
PARALLEL ARM BRACET	O	FINISHES SLIVER	✓
SLIDE(W/HOLD OPEN)	O	COVER STAINLESS STEEL-POLISHING COLOR	O
HOLD OPEN ARM	O	COVER STAINLESS STEEL-STAIN COLOR	O

Mode No.: 3322 Floor Hinge

√=YES	X=NO	O=OPTION	
SPRING STRENGTH	1-3	POWER ADJUSTABLE BY SPRING	X
STANDARD-850MM 70KGS NO.1	3322-1	POWER ADJUSTABLE BY POSITION	X
-950MM 105KGS NO.2	3322-2	SWEEPING SPEED ADJUSTMENT	✓
-1100MM 150KGS NO.3	3322-3	LATCHING SPEED ADJUSTMENT	✓
BODY DIMENSIONS(mm)LENGTH	230	BACK CHECK SELF-REGULATING	X
HEIGHT	56	ADJUSTABLE AT VALUE	X
PROJECTION	30	DELAY ACTION	X
ARM STANDARD	✓	HOLD OPEN WITHOUT HOLD OPEN	✓
OFFSET	O	AT 90° HOLD OPEN	O
NON-HANDED	✓	AT 105° HOLD OPEN	O
ANGLE OF OPENING	120°		



Mode No.: 3367 Floor Hinge



HEAVY DUTY LOAD:300KGS



	√=YES	X=NO	O=OPTION	
SPRING STRENGTH		2-6	ANGLE OF OPENING	180°
STANDARD-850MM 70KGS NO.2		X	POWER ADJUSTABLE BY SPRING	X
-950MM 105KGS NO.3		X	POWER ADJUSTABLE BY POSITION	X
-1100MM 150KGS NO.4		3367	SWEEPING SPEED ADJUSTMENT	√
- 300KGS NO.6		3367H	LATCHING SPEED ADJUSTMENT	√
BODY DIMENSIONS(mm)LENGTH		296	BACK CHECK SELF-REGULATING	X
HEIGHT		96	ADJUSTABLE AT VALUE	O
PROJECTION		48	DELAY ACTION	O
ARM STANDARD		√	HOLD OPEN WITHOUT HOLD OPEN	√
OFFSET		O	AT 90° HOLD OPEN	√
NON-HANDED		√	AT 105° HOLD OPEN	√

Mode No.: 3368 Floor Hinge

	√=YES	X=NO	O=OPTION	
SPRING STRENGTH		2-4	POWER ADJUSTABLE BY SPRING	X
STANDARD-850MM 70KGS NO.2		3368-2	POWER ADJUSTABLE BY POSITION	X
-950MM 105KGS NO.3		3368-3	SWEEPING SPEED ADJUSTMENT	√
-1100MM 150KGS NO.4		3368-4	LATCHING SPEED ADJUSTMENT	√
BODY DIMENSIONS(mm)LENGTH		306	BACK CHECK SELF-REGULATING	X
HEIGHT		108	ADJUSTABLE AT VALUE	X
PROJECTION		40	DELAY ACTION	X
ARM STANDARD		√	HOLD OPEN WITHOUT HOLD OPEN	√
OFFSET		O	AT 90° HOLD OPEN	O
NON-HANDED		√	AT 105° HOLD OPEN	O
ANGLE OF OPENING		130°		



Mode No.: 3385 Floor Hinge



	√=YES	X=NO	O=OPTION	
SPRING STRENGTH		2-4	POWER ADJUSTABLE BY SPRING	X
STANDARD-850MM 70KGS NO.2		3385-2	POWER ADJUSTABLE BY POSITION	X
-950MM 105KGS NO.3		3385-3	SWEEPING SPEED ADJUSTMENT	√
-1100MM 150KGS NO.4		3385-4	LATCHING SPEED ADJUSTMENT	√
BODY DIMENSIONS(mm)LENGTH		306	BACK CHECK SELF-REGULATING	X
HEIGHT		108	ADJUSTABLE AT VALUE	X
PROJECTION		40	DELAY ACTION	X
ARM STANDARD		√	HOLD OPEN WITHOUT HOLD OPEN	√
OFFSET		O	AT 90° HOLD OPEN	O
NON-HANDED		√	AT 105° HOLD OPEN	O
ANGLE OF OPENING		130°		



D3000

Overhead Adjustable Door Closer

(for commercial use)



FEATURES

Certifications	CE BS EN 1634 2 hours fire rating BS EN 1154 500,000 cycles
Durability	500,000 cycles above
Spring Power	Adjustabl size #3-6
Speed Valves	Adjustabl closing speed Adjustabl latching speed
Backcheck	Yes
Hold Open	Optional
Delayed Action	Optional
Max. Opening	180°
Max. Door Width	1500mm
Max. Door Weight	150KGS
Fitting Application	Fig 1, F61, F66
Arm Type	Standard or flat Sliding track arm (optional)
Mechanism	Rack & pinion
Material of Body	Die-cast aluminum
Finish	Silver, brown, white, black. Others upon request.
Application	Wood, metal, aluminum doors.
Cross Reference	Dorma TS83

ACCESSORIES

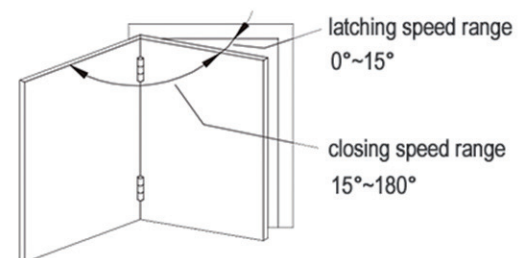
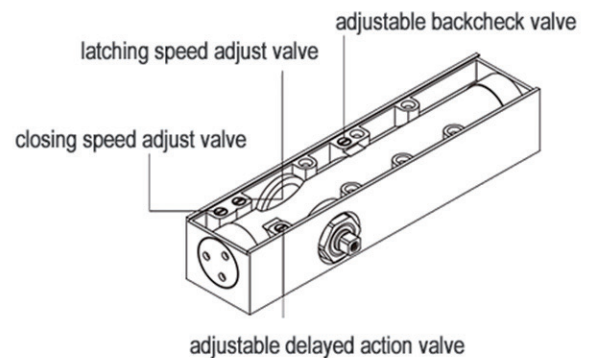


parallel arm bracket



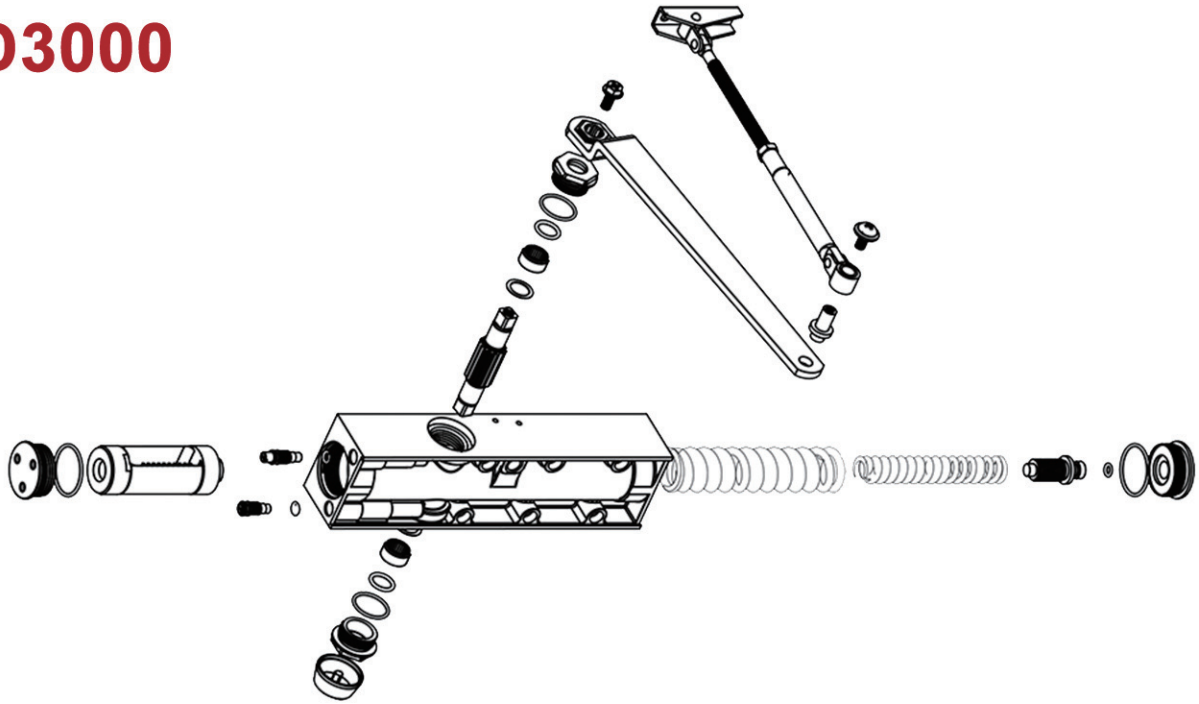
stainless steel cover

ADJUSTMENTS

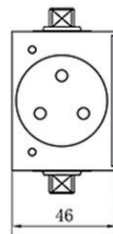
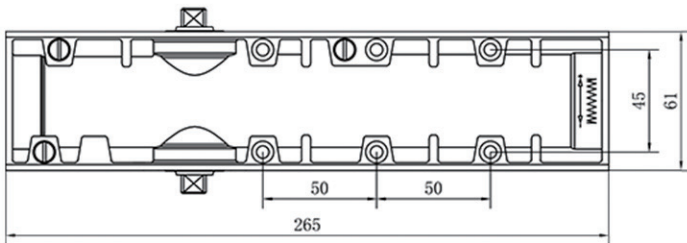




D3000



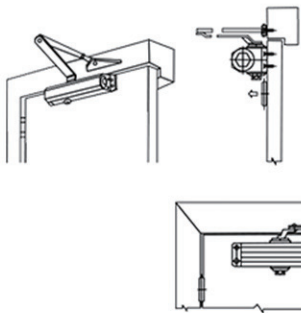
DIMENSIONS



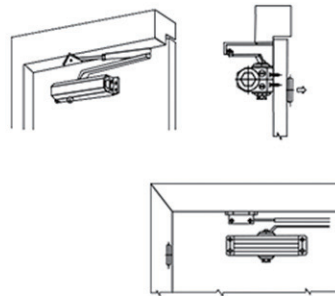
Unit: mm

INSTALLATION TYPES

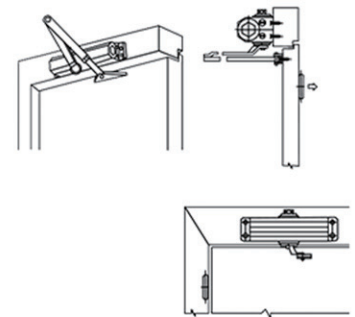
regular arm installation



parallel arm installation



top jam installation





D2024

Overhead Adjustable Door Closer

(European style, medium duty.)



Arc shaped



Square shaped



Accessibility



500 Thousand Cycles



2 Years Warranty



2 Hours Fire-rated

FEATURES

Certifications	CE BS EN 1634 2 hours fire rating BS EN 1154 500,000 cycles
Durability	500,000 cycles above
Spring Power	Fixed EN#4. Adjustable EN#2-4
Speed Valves	Adjustabl closing speed Adjustabl latching speed
Backcheck	Optional
Hold Open	Optional
Delayed Action	No
Max. Opening	180°
Max. Door Width	1100mm
Max. Door Weight	85KGS
Fitting Application	Fig 1, F61, F66
Arm Type	Standard or flat Sliding track arm (optional)
Mechanism	Rack & pinion
Material of Body	Die-cast aluminum, steel arm.
Finish	Silver, brown, white, black. Others upon request.
Application	Wood, metal doors.

ACCESSORIES



parallel arm bracket

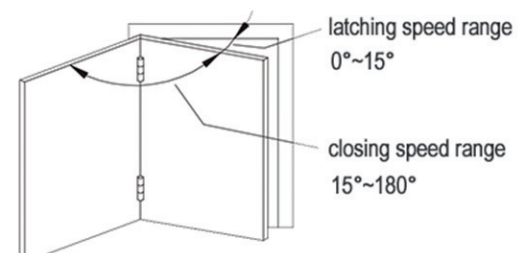
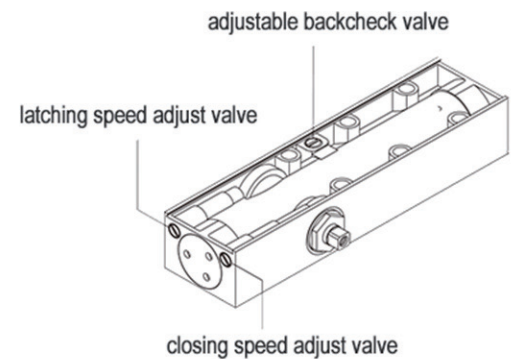


hold open arm

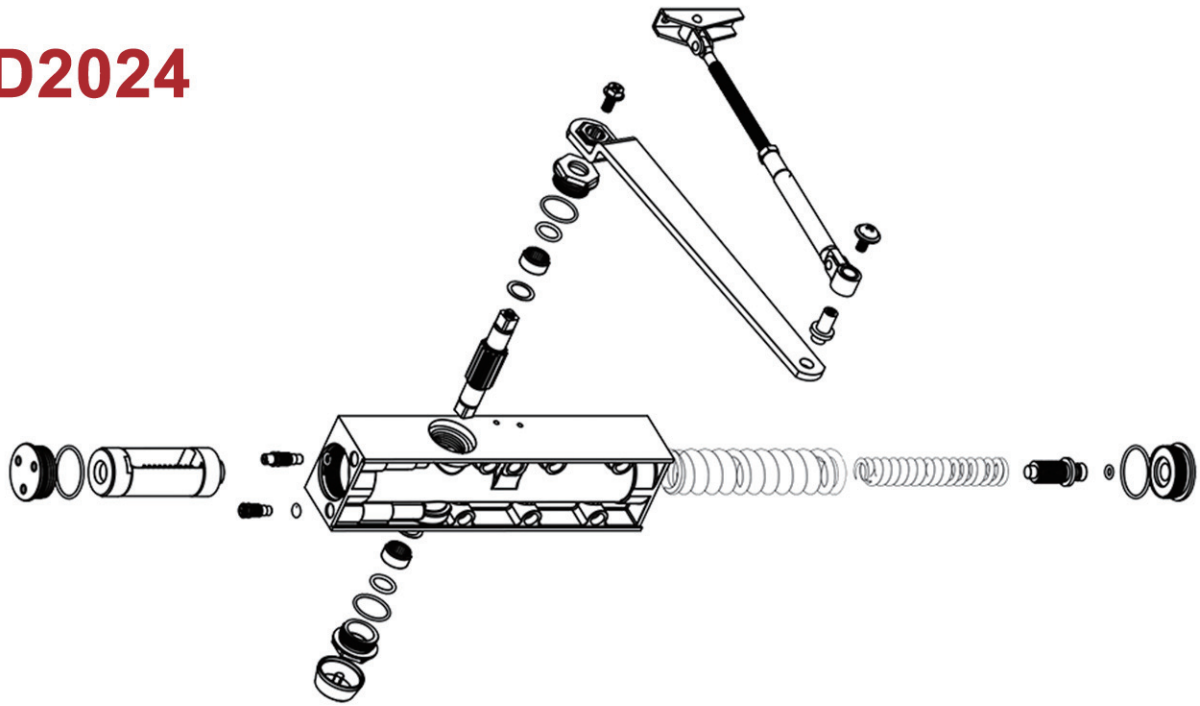


stainless steel cover

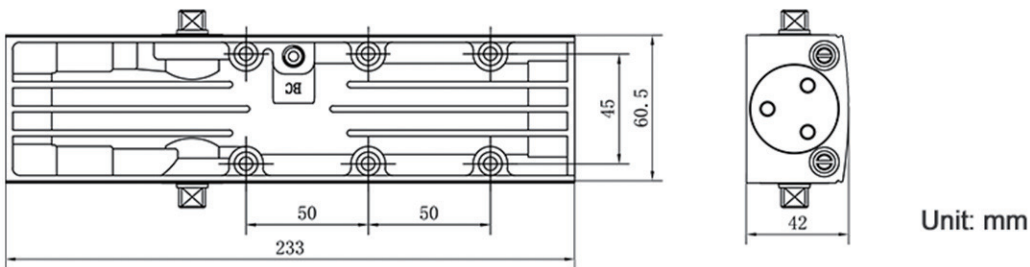
ADJUSTMENTS



D2024

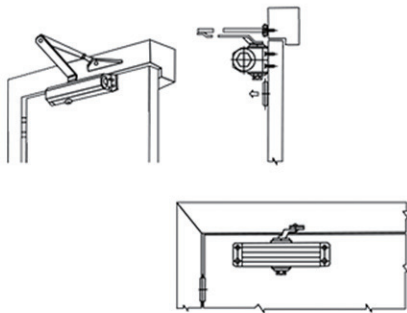


DIMENSIONS

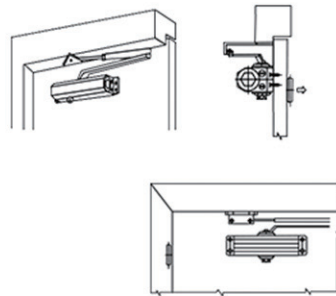


INSTALLATION TYPES

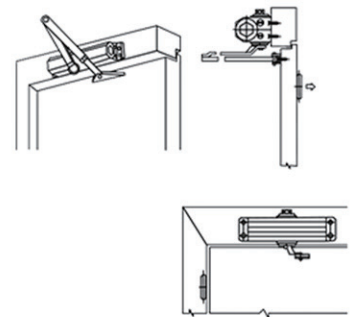
regular arm installation



parallel arm installation



top jam installation





D903

Overhead Adjustable

Door Closer

(European style)



FEATURES

Certifications	CE BS EN 1634 2 hours fire rating BS EN 1154 500,000 cycles
Durability	500,000 cycles above
Spring Power	EN#3
Speed Valves	Adjustabl closing speed Adjustabl latching speed
Backcheck	No
Hold Open	Optional
Delayed Action	No
Max. Opening	180°
Max. Door Width	850mm
Max. Door Weight	45KGS
Arm Type	Steel arm. Sliding track arm (optional)
Mechanism	Rack & pinion
Material of Body	Die-cast aluminum
Finish	Silver, brown, white, black. Others upon request.
Application	Wood, metal, fire rated doors.

ACCESSORIES

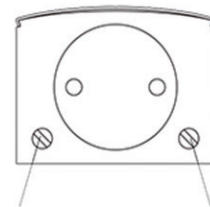


parallel arm bracket



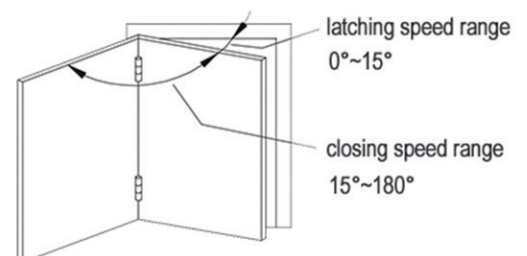
hold open arm

ADJUSTMENTS



latching speed adjust valve

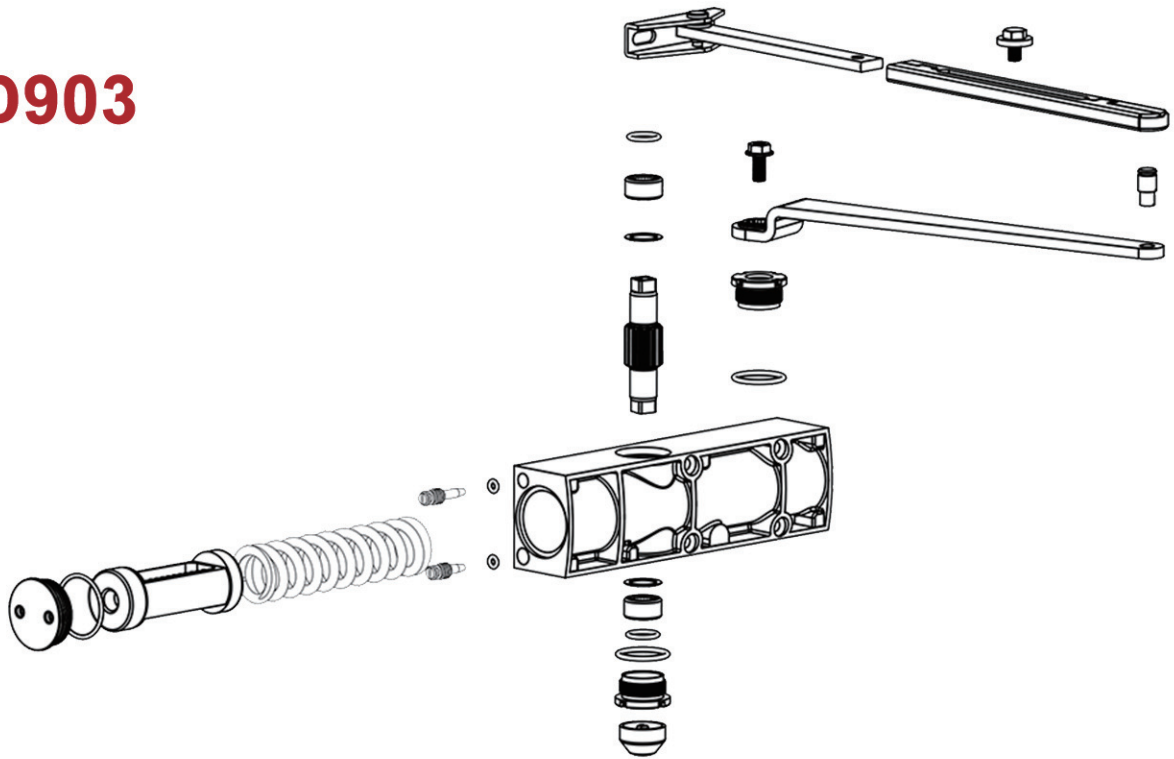
closing speed adjust valve



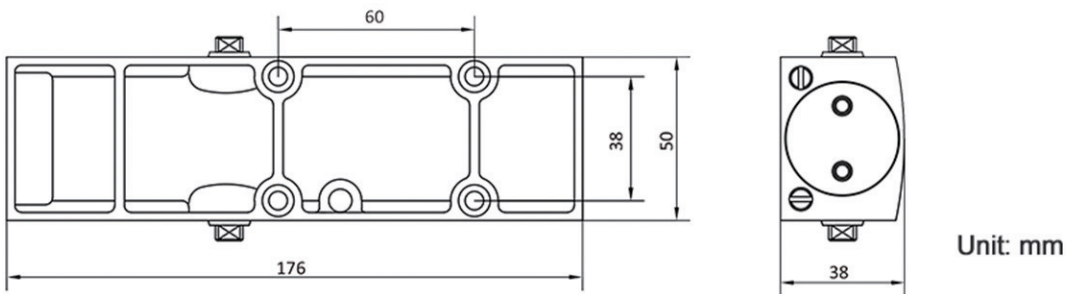
latching speed range
0°~15°

closing speed range
15°~180°

D903

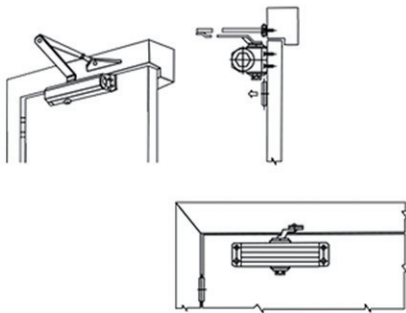


DIMENSIONS

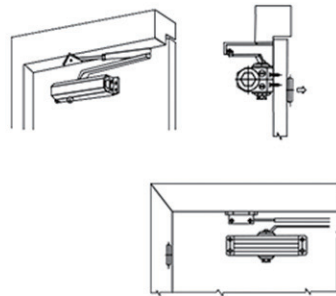


INSTALLATION TYPES

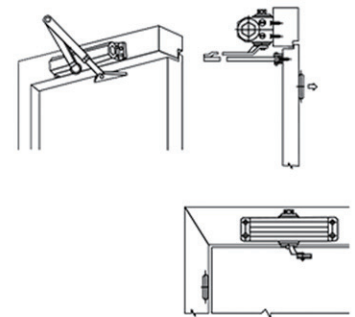
regular arm installation



parallel arm installation



top jam installation





D803

Overhead Door Closer

(Economic model)



Accessibility



500 Thousand Cycles



2 Years Warranty

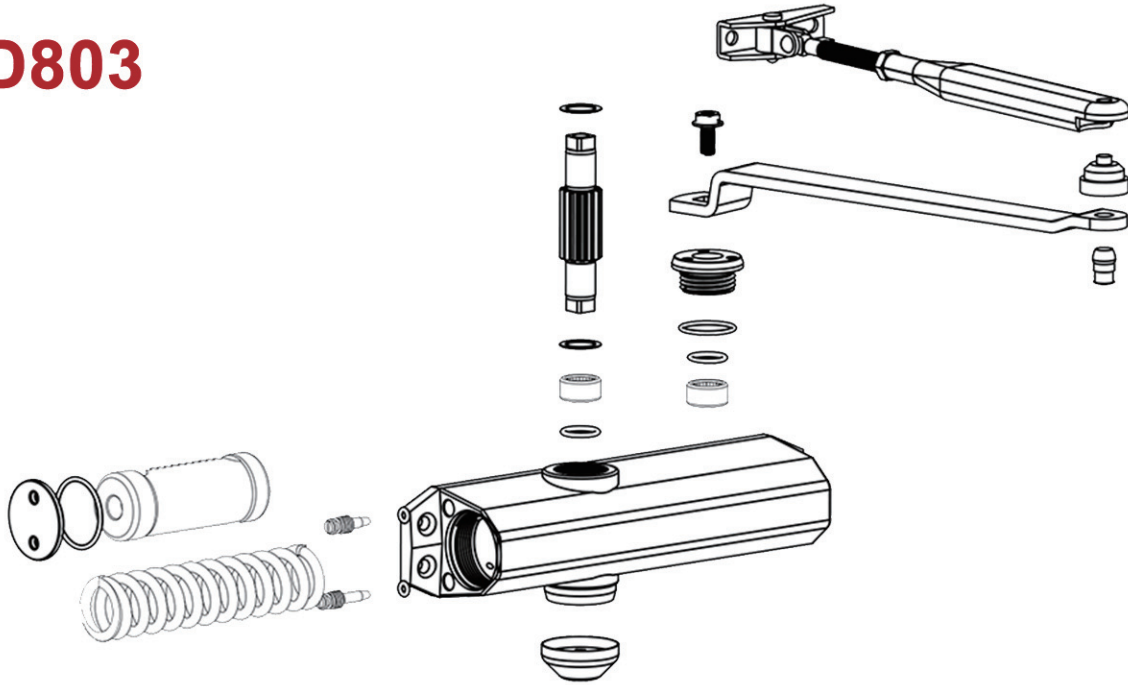


2 Hours Fire-rated

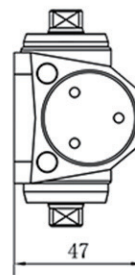
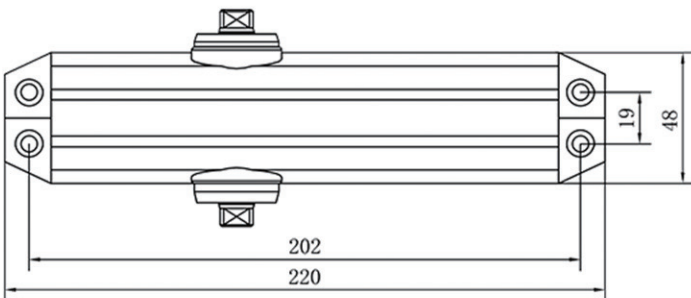
FEATURES

Certifications	CE BS EN 1634 2 hours fire rating BS EN 1154 500,000 cycles
Durability	500,000 cycles above
Spring Power	Fixed EN#2, #3, #4
Speed Valves	Adjustabl closing speed Adjustabl latching speed
Backcheck	Optional
Hold Open	Optional
Delayed Action	No
Max. Opening	180°
Max. Door Width	size #2/3/4: 850/950/1100mm
Max. Door Weight	size #2/3/4: 45/65/85KGS
Fitting Application	Fig 1, F61, F66
Arm Type	Fixed
Mechanism	Rack & pinion
Material of Body	Die-cast aluminum
Finish	Silver, brown, white, black. Others upon request.
Application Temperature	-40°C to 60°C
Cross Reference	Dorma TS68

D803



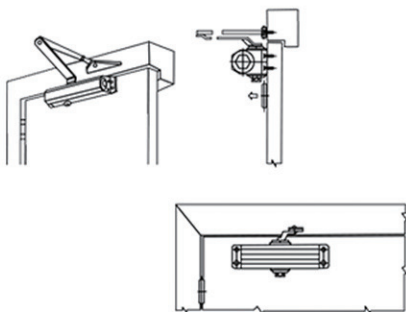
DIMENSIONS



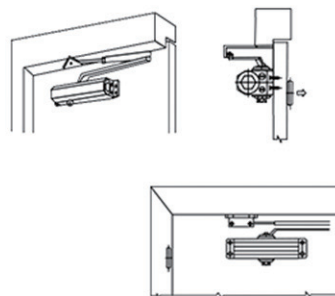
Unit: mm

INSTALLATION TYPES

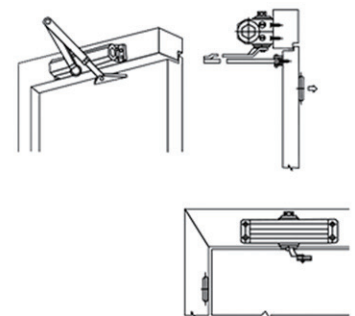
regular arm installation



parallel arm installation



top jam installation

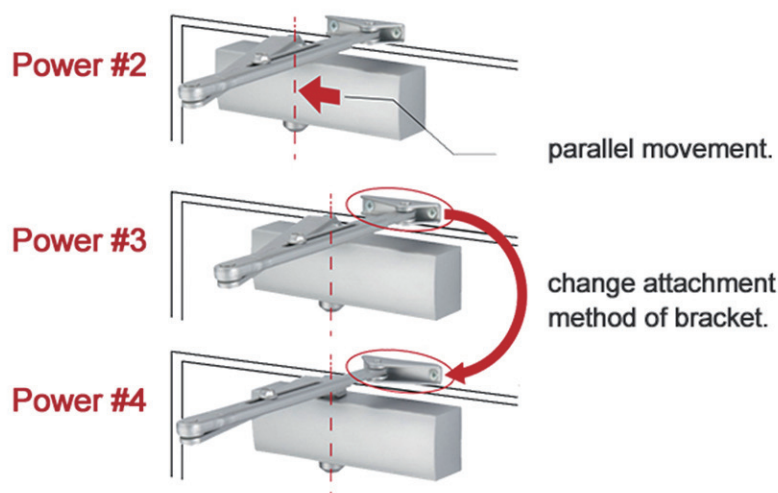


D803

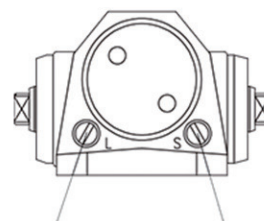
POWER ADJUSTMENT

Power Size	#2	#3	#4
Max. Door Weight	25-45KGS	40-65KGS	60-85KGS
Max. Door Width	850mm	950mm	1100mm

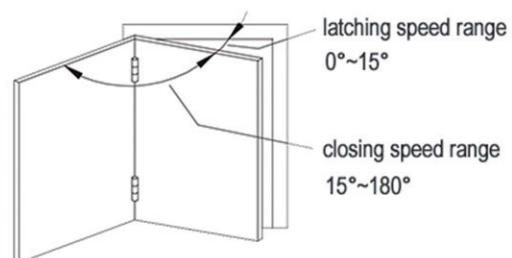
Power size adjusted by mounting position.



ADJUSTMENTS



latching speed adjust valve closing speed adjust valve



ACCESSORIES



plastic cover



parallel arm bracket



drop plate



hold open arm



hold open arm



hold open arm



D503

Overhead Door Closer

(Light, medium duty economic model.)



Standard Arm



Dorma Arm



Accessibility



500 Thousand Cycles



UL Certification



2 Years Warranty



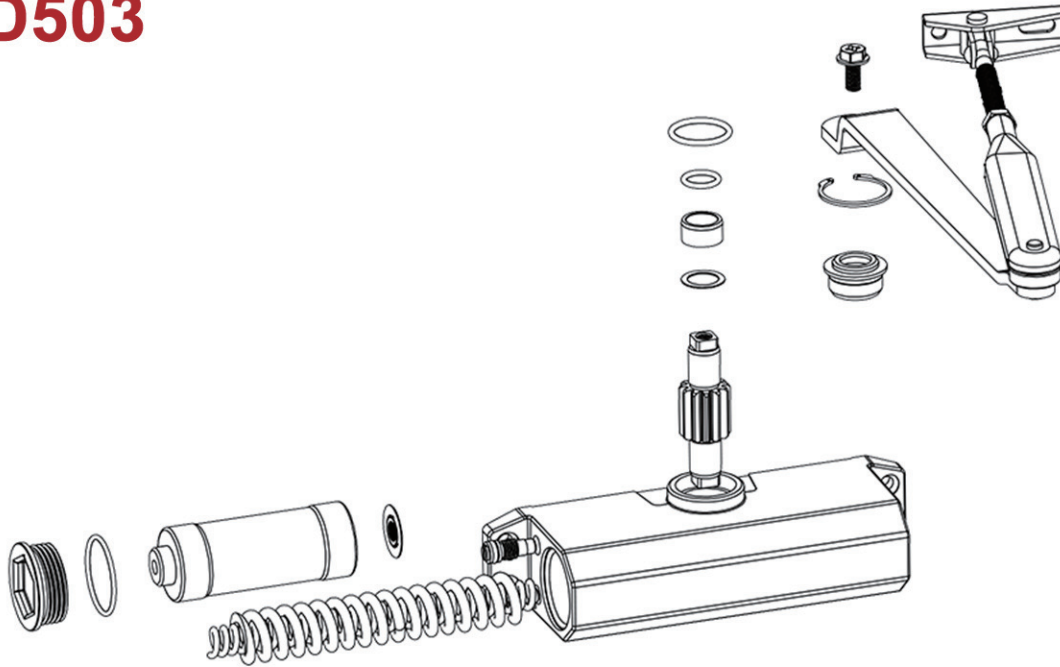
2 Hours Fire-rated

FEATURES

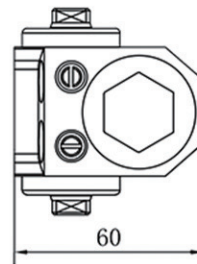
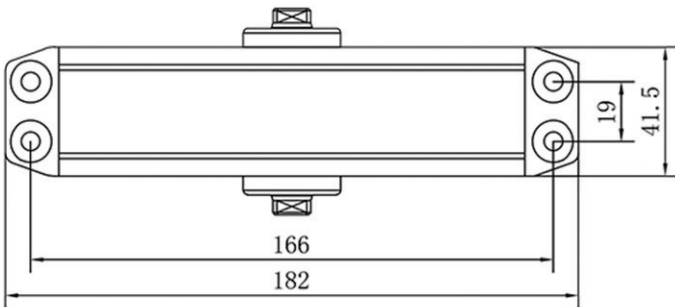
Certifications	CE, UL BS EN 1634 2 hours fire rating BS EN 1154 500,000 cycles
Durability	500,000 cycles above
Spring Power	Fixed EN#2, #3, #4
Speed Valves	Adjustabl closing speed Adjustabl latching speed
Backcheck	No
Hold Open	Optional
Delayed Action	No
Max. Opening	180°
Max. Door Width	size #2/3/4: 850/950/1100mm
Max. Door Weight	size #2/3/4: 45/65/85KGS
Fitting Application	Fig 1, F61, F66
Arm Type	Fixed
Mechanism	Rack & pinion
Material of Body	Die-cast aluminum
Finish	Silver, brown, white, black. Others upon request.
Cross Reference	Dorma TS77



D503



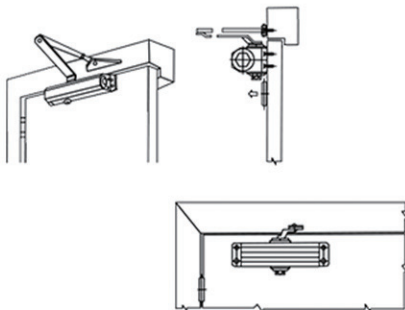
DIMENSIONS



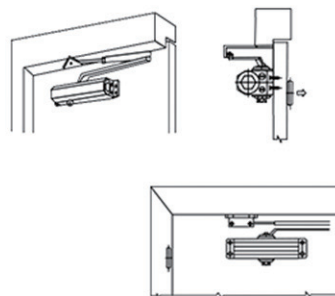
Unit: mm

INSTALLATION TYPES

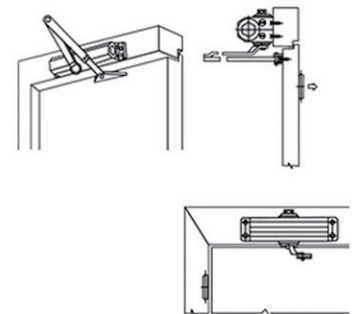
regular arm installation



parallel arm installation



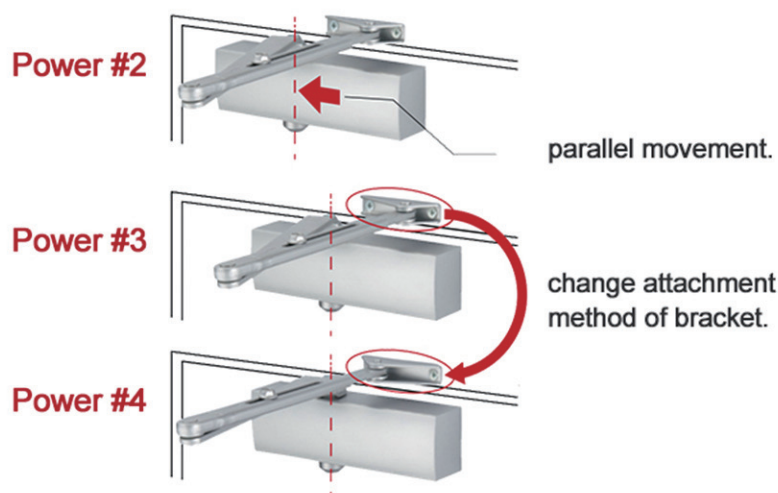
top jam installation



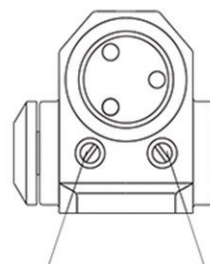
POWER ADJUSTMENT

Power Size	#2	#3	#4
Max. Door Weight	25-45KGS	40-65KGS	60-85KGS
Max. Door Width	850mm	950mm	1100mm

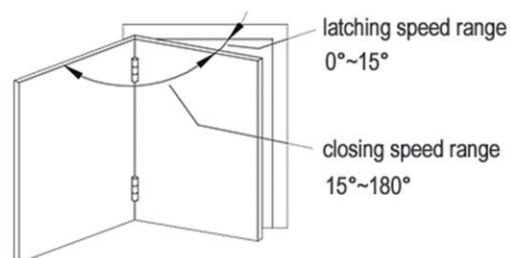
Power size adjusted by mounting position.



ADJUSTMENTS



latching speed adjust valve closing speed adjust valve



ACCESSORIES



plastic cover



parallel arm bracket



standard arm



hold open arm



hold open arm



hold open arm



D3000H

Overhead Adjustable Door Closer

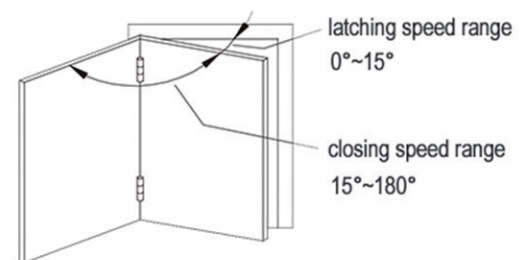
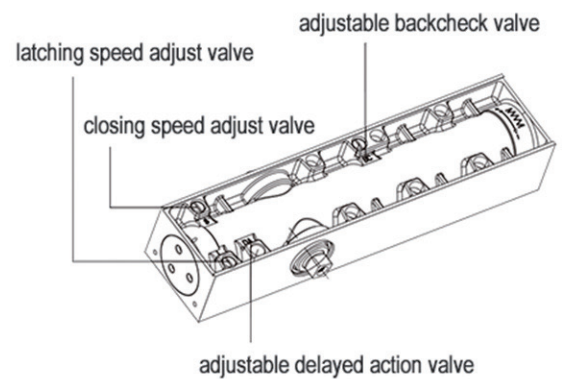
(for commercial use)



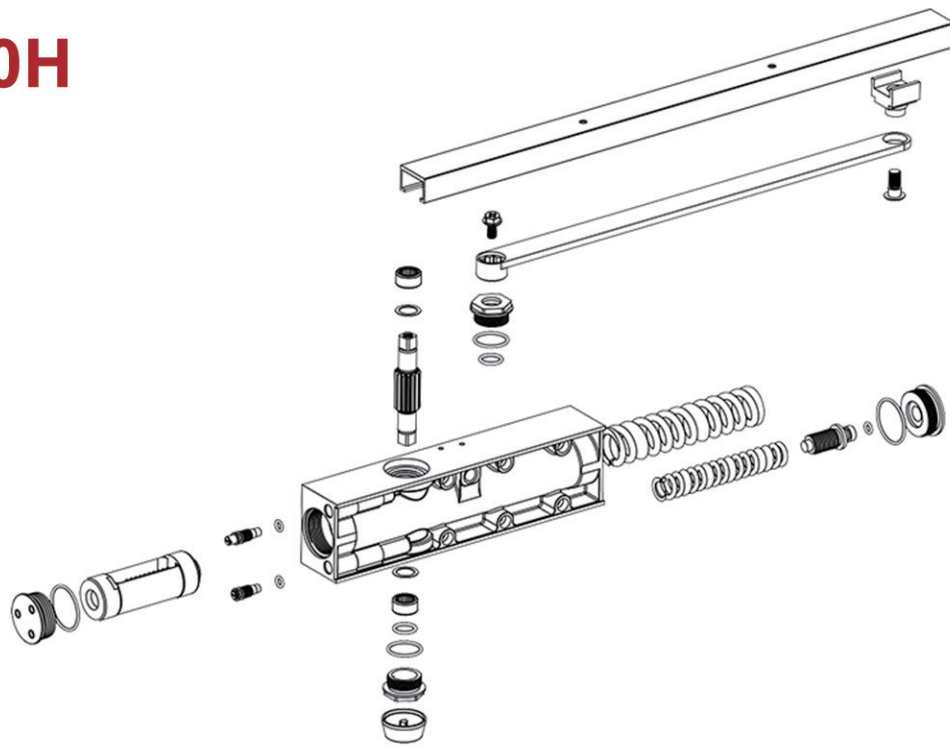
FEATURES

Certifications	CE BS EN 1634 2 hours fire rating BS EN 1154 500,000 cycles
Durability	500,000 cycles above
Spring Power	Adjustabl size #3-6
Speed Valves	Adjustabl closing speed Adjustabl latching speed
Backcheck	Optional
Delayed Action	Optional
Max. Opening	180°
Max. Door Width	1100mm
Max. Door Weight	85KGS
Arm Type	Sliding track arm
Mechanism	Rack & pinion
Material of Body	Die-cast aluminum
Finish	Silver, brown, white, black. Others upon request.
Application	Interior wood, metal, aluminum doors.

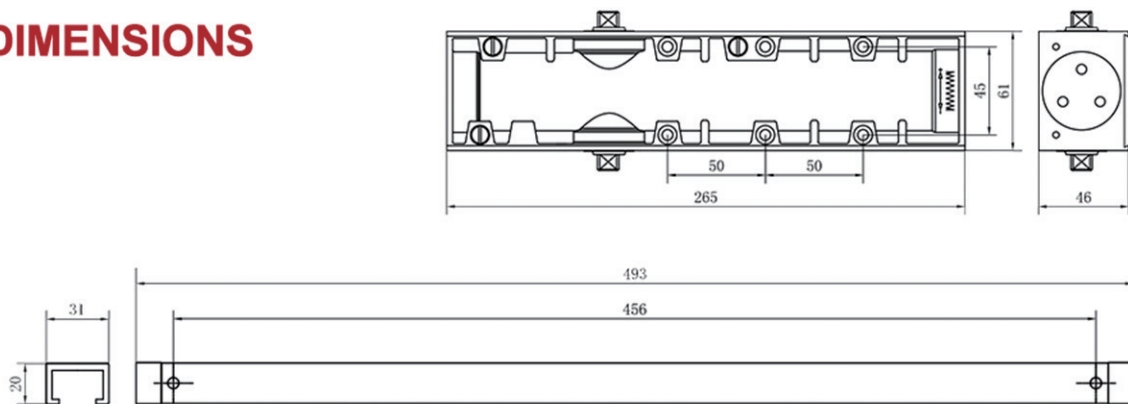
ADJUSTMENTS



D3000H



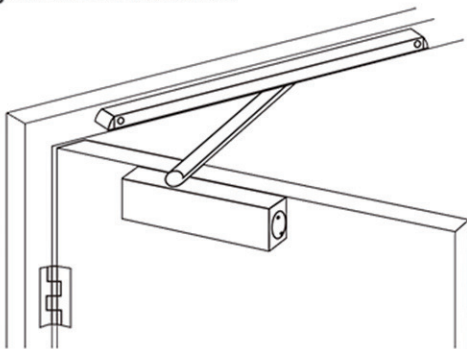
DIMENSIONS



Unit: mm

INSTALLATION TYPE

regular arm installation





D2000H

Overhead Door Closer

(for commercial use)



Accessibility



500 Thousand Cycles



2 Years Warranty

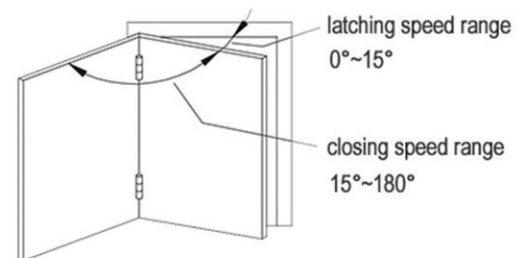
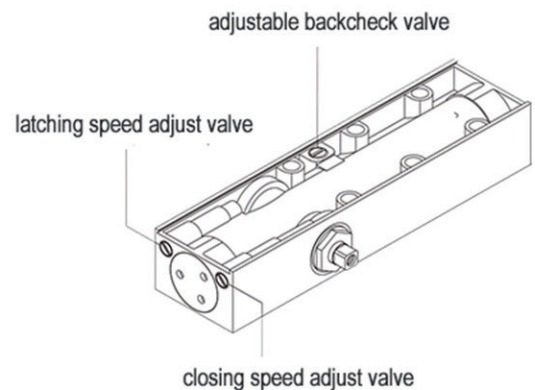


2 Hours Fire-rated

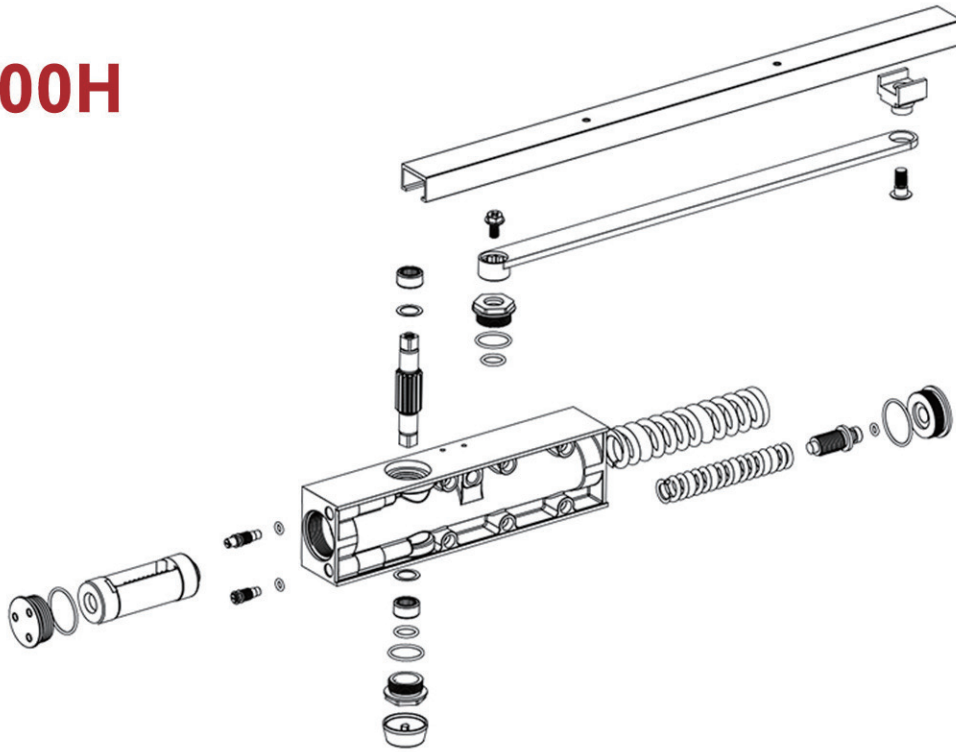
FEATURES

Certifications	CE BS EN 1634 2 hours fire rating BS EN 1154 500,000 cycles
Durability	500,000 cycles above
Spring Power	Fixed EN#5.
Speed Valves	Adjustabl closing speed Adjustabl latching speed
Backcheck	Optional
Hold Open	Optional
Delayed Action	No
Max. Opening	180°
Max. Door Width	950mm
Max. Door Weight	65KGS
Arm Type	Sliding track arm
Mechanism	Rack & pinion
Material of Body	Die-cast aluminum
Finish	Silver, brown, white, black. Others upon request.
Application	Wood, metal, fire rated doors.

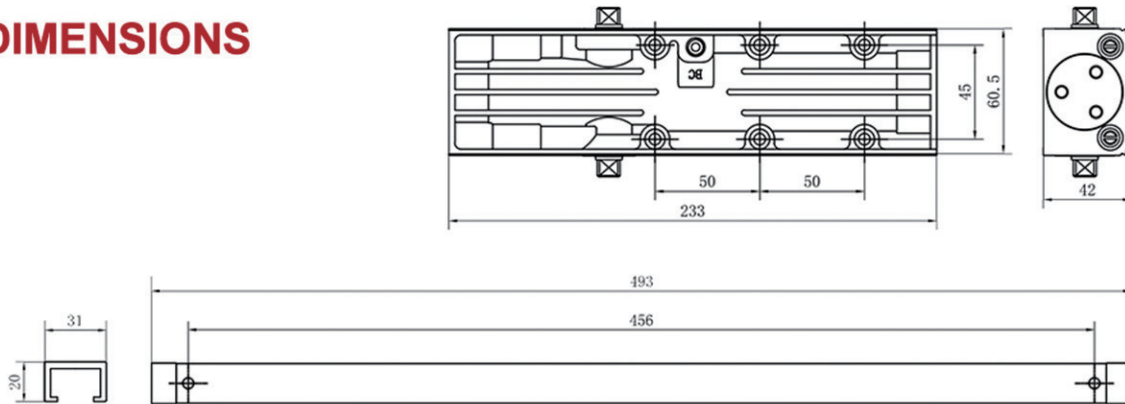
ADJUSTMENTS



D2000H



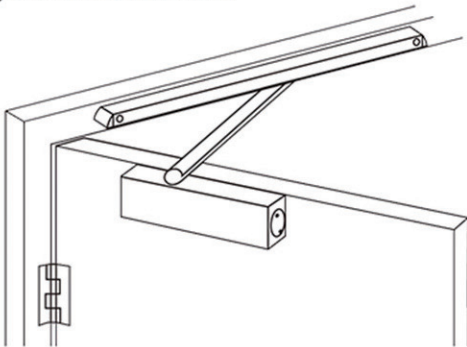
DIMENSIONS



Unit: mm

INSTALLATION TYPE

regular arm installation





BSI Security Co., Ltd

✉ sales@bsi-hardware.com

🌐 www.bsi-hardware.com